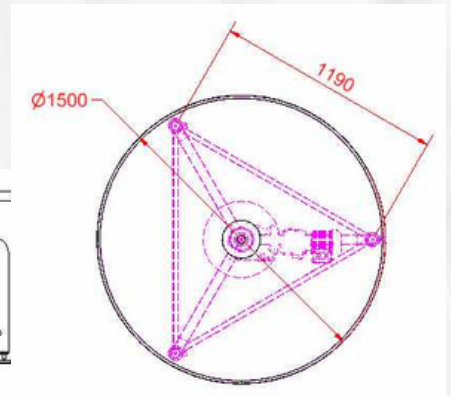
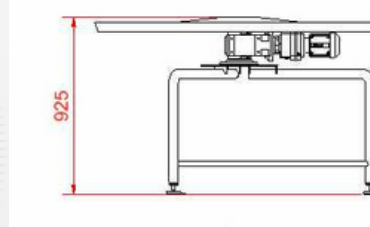


TECHNICAL DATA (FF 0071-20045)

- Weight: approx. 140 kg
- Motor: 0,12 kW
- Rotational Speed: 3,2 r/min



FF ROTATING TABLE

“

Forsfood Rotating table is intended for manual packing or processing of salads, root vegetables or vegetables by one or more persons.

The Rotating table acts as buffer storage for small amounts of packages and allows for changes in processing speed.

Properly used and maintained, the Rotating table is durable and reliable. After daily use, the device should be washed thoroughly.

The structure of the Rotating table is stainless.

Manufactured by Forsfood Oy

”