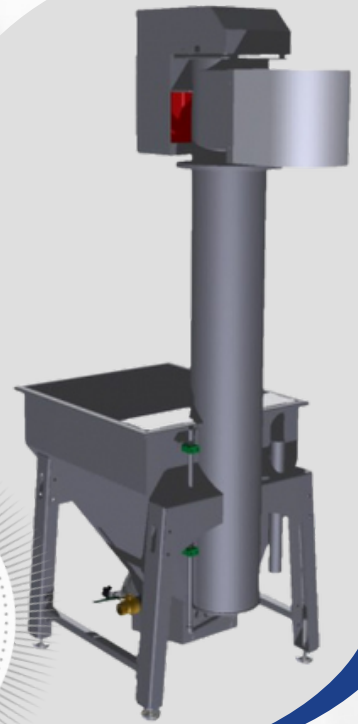
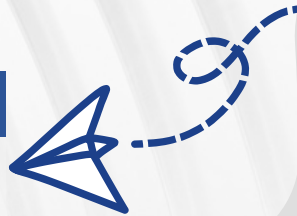


TECHNICAL DATA (FF 003A-15100A)

- Weight: approx 300 kg
- Height: 2390 mm
- Width : 805 mm
- Length: 1330 mm
- Capacity: approx 1000–1500 kg/h, depending on the product
- Voltage: 400 V, 3-phase, 50 Hz, if the drive 400 V, 1-phase, 50 Hz
- Connected load: 0,55 kW



FF DESTONER (SMALL)



Destoner removes heavy objects, such as stones, from the products before further processing. The machine collects them at the bottom of the machine's tank.

Destoner prevents damage to the blades of the other processing machines. In this way, the product remains of high quality, and there are no interruptions in production.

In the machine's a water tank where the products can be pre-rinsed.

Manufactured by Forsfood

