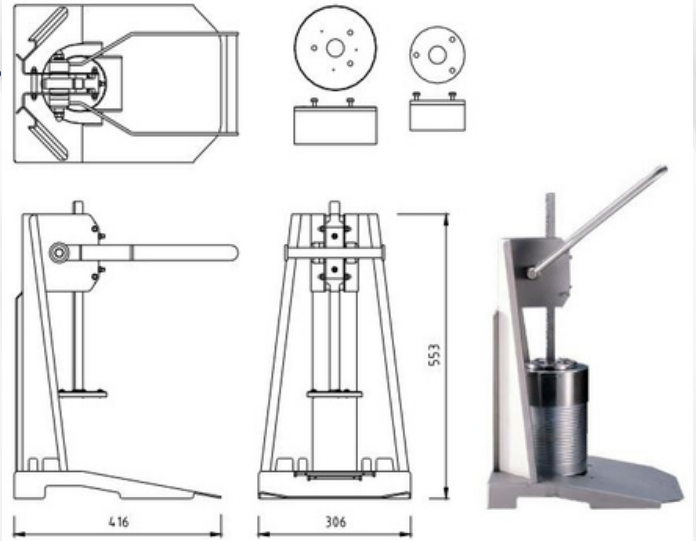


TECHNICAL DATA



CAN OPENER, MANUAL

“

The can opener is made of stainless steel. The opener is easy to use and the cutting height is easily adjustable. The pressing tools are interchangeable and available in different sizes.

The body of the opener is available in two different sizes:

Small frame: Suitable for pressing tools Ø 110 and 153 mm
Product code: J-20203001

Large frame: Suitable for pressing tools Ø 153 and 215 mm
Product code: J-20203011

Pressing tools must be ordered separately:

Ø 110 mm: J-20203004

Ø 153 mm: J-20203005

Ø 215 mm: J-20203006

”